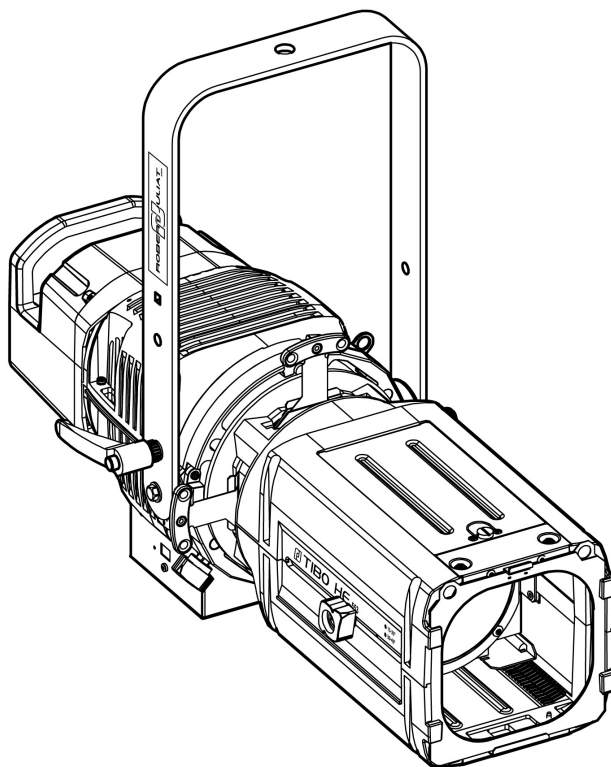


TIBO HE

LED PROFILE SPOT



115 W LED

Colour temperature	Standard	North American
COOL WHITE	553 CW	553 CCW
WARM WHITE	553 WW	553 CWW

V1

- FIRMWARE: V3.0
- RJ-LED2 FIRMWARE PLATFORM (Node Mode) full manual is available for download at robertjuliat.com/LED/PDF_PAGE

VALIDATION : 08/04/22

DN41205300-A (EN)



ROBERT JULIAT

Table of Contents

1	User's instructions	1
2	Presentation	2
2.1	Functions	2
2.2	Identification label	2
2.3	Accessories included	3
2.4	Optional accessories	3
2.5	Accessories	4
3	Set-up	4
3.1	Mechanics	4
3.1.1	Operating positions	4
3.1.2	Minimum distance between a flammable material and the lighting unit	4
3.1.3	Instructions for use	5
3.1.4	Hanging	5
3.1.5	Safety cable	5
3.2	Electrical information	6
3.2.1	LED source	6
3.2.2	Power supply	6
3.3	DATA	7
3.3.1	DMX 512-A / RDM	7
3.3.2	Art-Net / sACN	8
3.3.3	Ethernet / DMX node	8
3.4	Accessories	9
3.4.1	Front filter holder	9
3.4.2	Iris / Gobo holder	10
3.4.3	Shutters	10
4	Operations	11
4.1	Light intensity	11
4.1.1	Range	11
4.1.2	Control	11
4.1.3	Parameters	11
4.1.3.1	Dimming resolution - DMX only	11
4.1.3.2	Dimming curve	11
4.1.3.3	Set maximum position	12
4.1.3.4	Dimming mode	12
4.2	Strobe	13
4.2.1	Range	13
4.2.2	Control	13
4.3	Response time	13
4.3.1	Range	13
4.3.2	Control	13
4.4	Beam size adjustment	14
4.4.1	Range	14
4.4.2	Control	14
4.5	Orientation	15
4.5.1	Range	15
4.5.2	Control	15
4.6	Colour	15
4.7	Beam shaping	16
4.7.1	Range	16
4.7.2	Control	16
4.8	Beam rotation	17
4.8.1	Range	17
4.8.2	Control	17
4.9	Gobo and Iris	18
4.9.1	Gobo	18
4.9.2	Iris	18
5	Controls and parameters	19
5.1	Web interface	19
5.1.1	Control	19
5.1.2	Default IP address	19
5.1.3	Network IP of the computer	19
5.1.4	Connect to web interface	19
5.1.5	CCT selection	20
5.2	LEDs Feedback	21
5.2.1	Trouble shooting	21
5.2.2.1	Intensity	21
5.2.2.2	Auto-OFF	21
5.3	DMX512 - A remote control	22
5.3.1	Protocol	22
5.3.2	Configuration	22
5.3.3	Parameters	22
5.3.3.1	DMX Hold	22
5.3.4	DMX chart	23
5.3.5	DMX ranges	23
5.3.5.1	Strobe duration	23
5.3.5.2	Strobe speed	23
5.3.5.3	Response time	23
5.3.5.4	Control mode	23
5.4	RDM remote control	24
5.4.1	Protocol	24
5.4.2	Functions	24
5.5	Art-Net remote control	26
5.5.1	Protocol	26
5.5.2	Configuration	26
5.6	sACN remote control	26
5.6.1	Protocol	26
5.6.2	Configuration	26
6	Service	27
6.1	Preventive maintenance	27
6.1.1	Frequency	27
6.1.2	General cleaning	27
6.1.3	General visual check	27
6.1.4	LED source	27
6.1.5	Optics	27
6.2	Analysis	28
6.3	Electronic thermal management system	28
6.4	Firmware update	28
6.5	Factory defaults	29
6.5.1	Modes	29
6.5.2	Control	29

GENERAL INSTRUCTIONS

1. Not for residential use.
2. These fixtures must only be serviced by a qualified technician.
3. In addition to the instructions indicated on this page, relevant health and safety requirements of the appropriate EU Directives must be adhered to at all times.
4. This fixture is in compliance with section 17 - Lighting appliance for theatre stages, television, cinema and photograph studios. Standards NF EN 60598-1, NF EN 60598-2-17, Low Voltage Directive 2014/35/UE & EMC Directive 2014/30/UE.
5. This fixture is rated as IP20, and is for indoor use only.

FIXTURE

6. Ensure fixture is correctly mounted on an appropriate support.
7. Protection screens and lenses must be replaced in the event of any damage, such as cracks or deep scratches, since these might reduce performance.
8. When hung or flown the fixture must be secured by an additional hanging accessory (such as a safety cable or bond) of suitable length.
9. Safety bonds or cables must be securely attached to the back of the fixture and be as short as possible, or rolled up as necessary, to minimise travel distance should the fixture be dislodged.
10. Movable accessories (scroller, etc.) must also be secured with a suitable safety cable or bond at the front of the fixture.
11. The combined weight of both the fixture and the accessories must be considered when choosing the load-bearing capability of safety cable or bond.
12. Do not open lighting fixture when the source is on.
13. WARNING: LED source become hot during use. Allow fixture to cool before servicing.
14. Do not tamper with design of fixture nor any of its safety features.
15. Tighten electrical mains cable connections regularly and replace with one of identical specification if damaged.
16. Use only with correct power supply.

VENTILATION

17. Keep well away from flammable material.
18. Not for outdoor use. Do not cover. Do not permit fixture to get wet.
19. To avoid overheating, do not obstruct air vents.
20. Ensure any cooling fans are in correct working order. If fans are not working, turn fixture off immediately and service as necessary.

CLEANING

21. Do not touch the LED source with your fingers.
22. To clean the optical parts, use a soft cloth in combination with distilled water or isopropyl alcohol recommended for coated optics. Do not use any cleaning product that contains solvents or abrasives, as these can cause surface damage. Dry with a soft lint-free cloth.
23. Regularly remove dust with a soft lint-free cloth.
24. If the fixture has filters, they must be cleaned frequently.


POWER SUPPLY

25. Disconnect from the mains before servicing.
26. Mains connection only. Do not connect to "electronic output" such as dimmer.
27. Ensure power supply circuit breakers, always remain accessible.

PLEASE NOTE

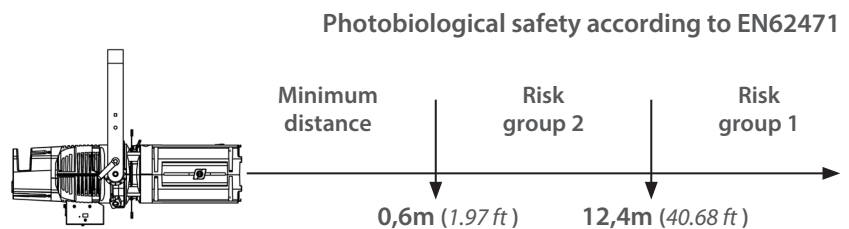
This product has been built to conform to European standards relating to professional lighting equipment. Any modification made to our products will void the manufacturers' warranty.

Risk group 2

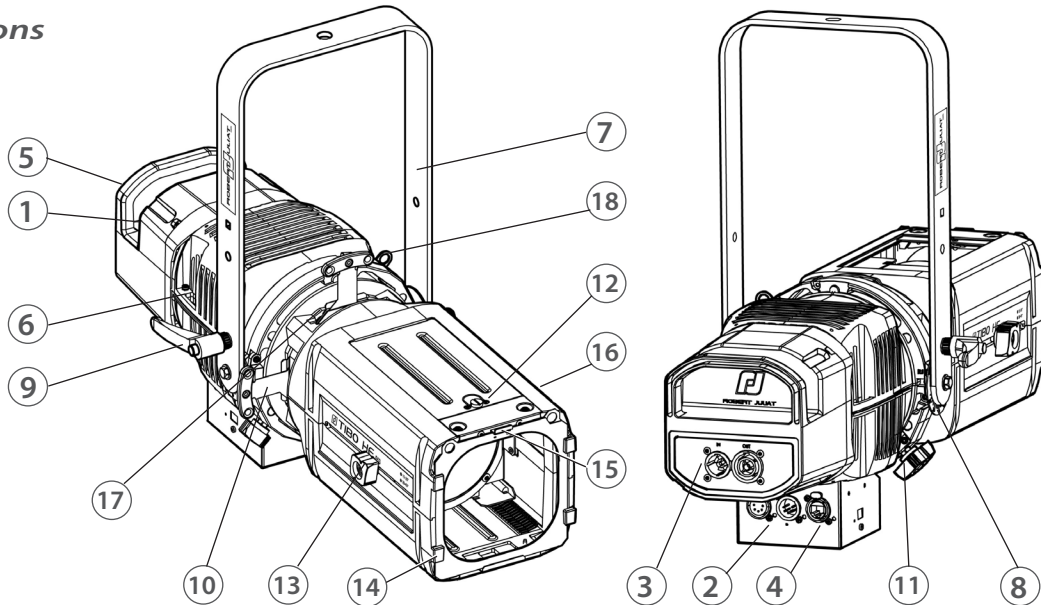


CAUTION: Possibly hazardous optical radiation emitted from this product. Do not stare at operating lamp. Maybe harmful to the eye.

Group risk 2. Luminaires should be positioned so that prolonged staring into luminaire at a distance closer than 12,4m is not expected.



2.1 Functions

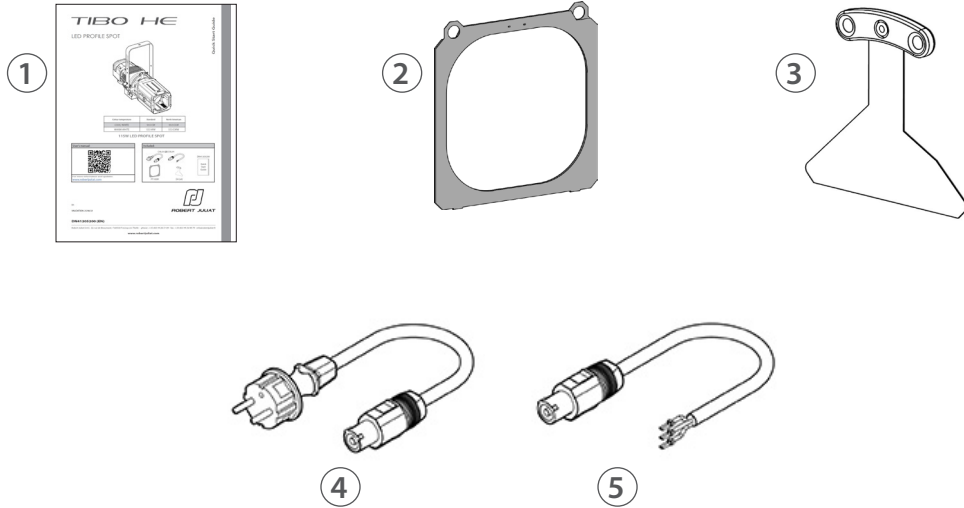


Description	
<ol style="list-style-type: none"> 1. Identification plates 2. Data connector (IN and OUT) 3. Power connector (IN and OUT) 4. RJ45 network connector 5. Handle 6. Safety cable attachment point 7. Hanging yoke 8. Tilt index 9. Tilt locking handle 10. Shutters 	<ol style="list-style-type: none"> 11. Fixture rotation locking button 12. Lens tube access 13. Zoom adjustment 14. Front slot for accessories and gel frame holder 15. Front slot locking system 16. Focus adjustment 17. Gate slot for gobo holder / iris 18. Safety cable attachment point for accessories

2.2 Identification label

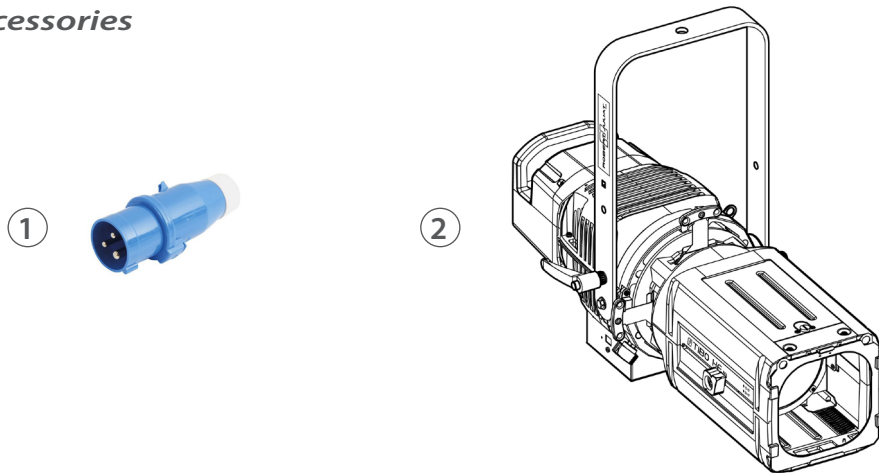
Description	
<p>19 17 18 15 16 20</p> <p>LED FIXTURE Risk Group </p> <p>Lire le manuel avant utilisation - Utilisation et maintenance par professionnel uniquement / Read manual before use - Service only by qualified personnel.</p> <p>MOD. 1 VERS. 2 11 9</p> <p>U 3 I 4 10</p> <p>P 5 IP 6 14</p> <p>t°a 7 t°c 8 13</p> <p>ROBERT JULIAT .com Made in the EU - France - 12</p>	<ol style="list-style-type: none"> 1. MOD.: Model 2. VERS.: Version 3. U : Nominal voltage input (V) 4. I : Nominal intensity (A) 5. P : Maximum power input (W) 6. IP : International Protection Rating 7. t°a : Maximum ambient temperature (°C) 8. t°c : Maximum external temperature of the unit (°C) 9. Net weight (kg) 10. Minimum distance between a flammable material and the lighting unit (m) 11. Colour temperature version 12. Serial number 13. Replace broken glass 14. Class 1 product label 15. Read manual first label 16. European conformity label 17. WEEE directive label 18. CEI-TR-62778 - Do not stare at light source 19. EN62471 - Risk group 20. UKCA (UK Conformity Assessed) label
<p>Units :</p> <ul style="list-style-type: none"> - Weight = kilogram (kg). - Intensity = Ampere (A). - Voltage = Volt (V). - Frequency = Hertz (Hz). - Temperature = degree Celsius (°C). 	

2.3 Accessories included



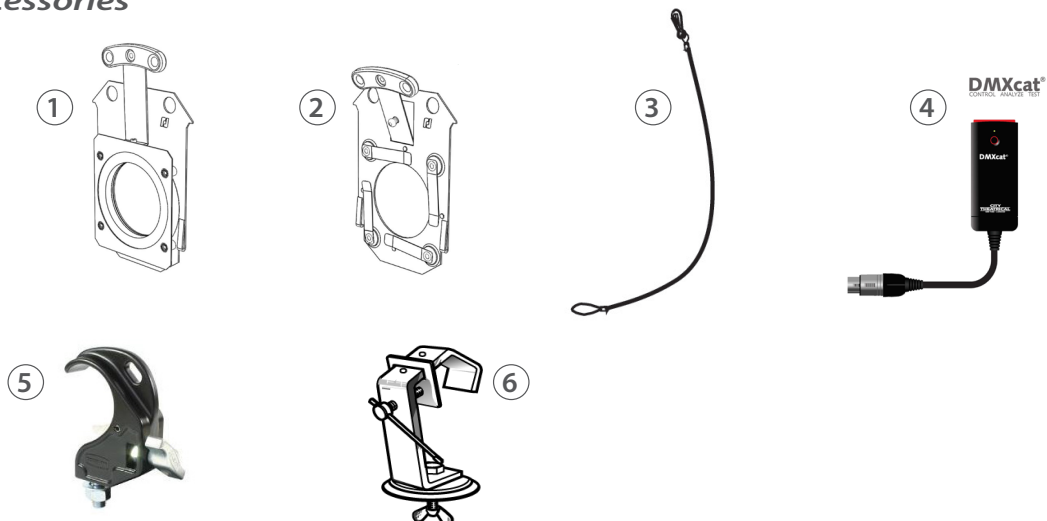
	Reference	Description
1	DN41202200	Quick Start manual
2	PF100M	135x135 mm metal filter holder
3	D4	Shutter for Tibo series
4	CAL03	Power cable with CEE7/7 type IN connector (standard version)
5	CAL04	UL/CSA Power cable without connector (North American version)

2.4 Optional accessories



	Reference	Description
1	PCP1716A	16A blue 2P+E 6h IEC60309 power connector
2	T-RAL9010	White housing (RAL 9010)

2.5 Accessories

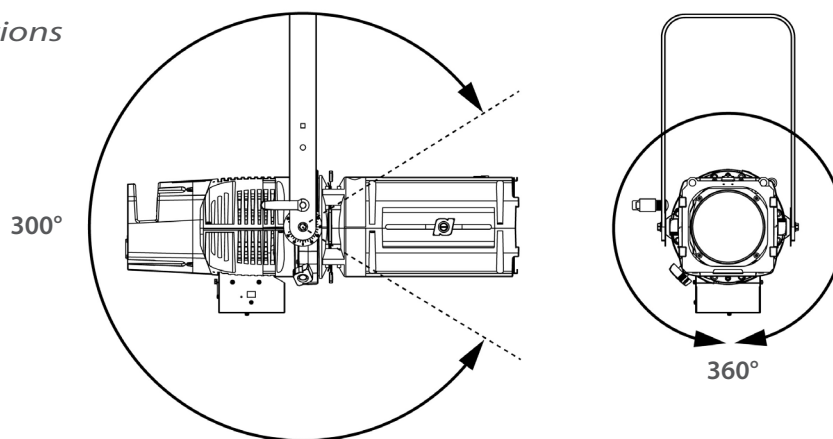


	Reference	Description
1	IS500	Drop-in iris (monoplane) with holder
2	SGUT	Universal "M" size gobo-holder (metal, glass, frosted glass)
3	CS2	Safety cable Ø3mm L= 600mm - SWL: 75Kg
4	DMXcat	Bluetooth DMX/RDM Multifunction test tool - City Theatrical DMXcat®
5	872	Doughty "Twenty clamp" with M10 screw/nut for Ø48 to 51mm pipes
6	878	Hook clamp 25x6 with M10 L=23mm screw pour tube Ø35 à 50mm pipes

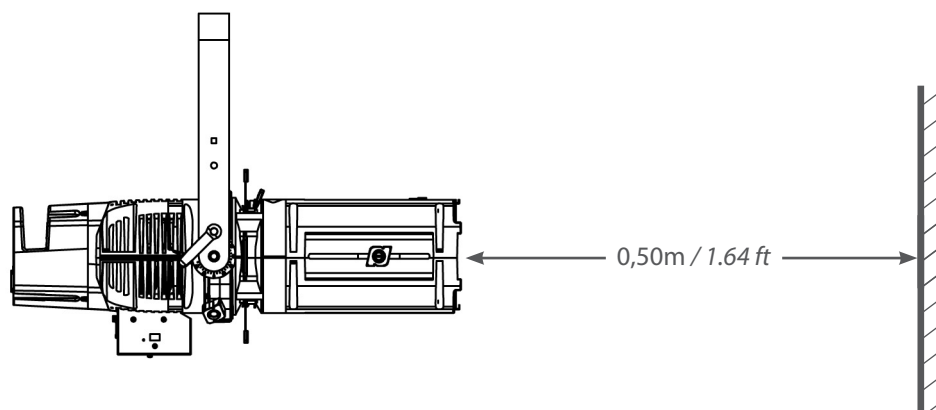
3 Set-up

3.1 Mechanics

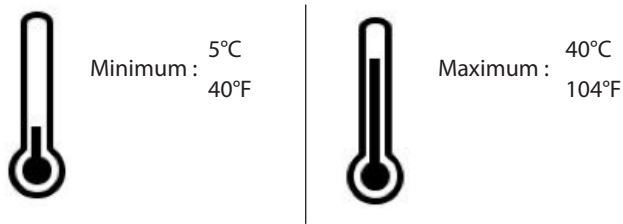
3.1.1 Operating positions



3.1.2 Minimum distance between a flammable material and the lighting unit



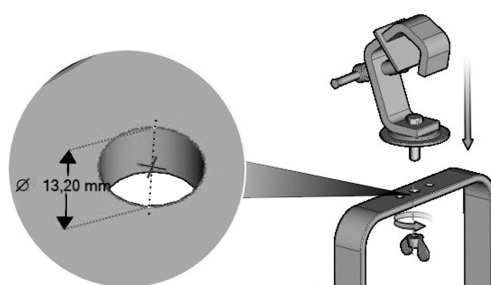
3.1.3 Instructions for use



IP20 - Indoor use only

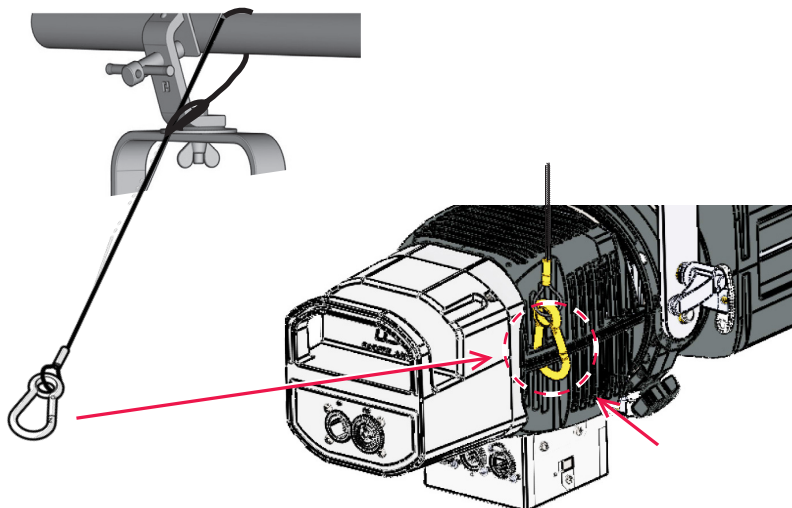
3.1.4 Hanging

- Ensure fixture is correctly mounted on an appropriate support



Net weight:
10,2 kg (22.4 lbs)

3.1.5 Safety cable



- When hung or flown the fixture must be secured by an additional hanging accessory (such as a safety bond or cable) of suitable length.
- The combined weight of both the fixture and the accessories must be considered when choosing the load-bearing capability of safety cable or bond.
- Safety cables or bonds must be securely attached to the provided attachment point (on the rear side of the unit) and be as short as possible, or rolled up as necessary, to minimise travel distance should the fixture be dislodged.

3.2.1 LED source



Never touch or scratch the LED surface.
See 6.1.4 LED cleaning procedure if cleaning is necessary.

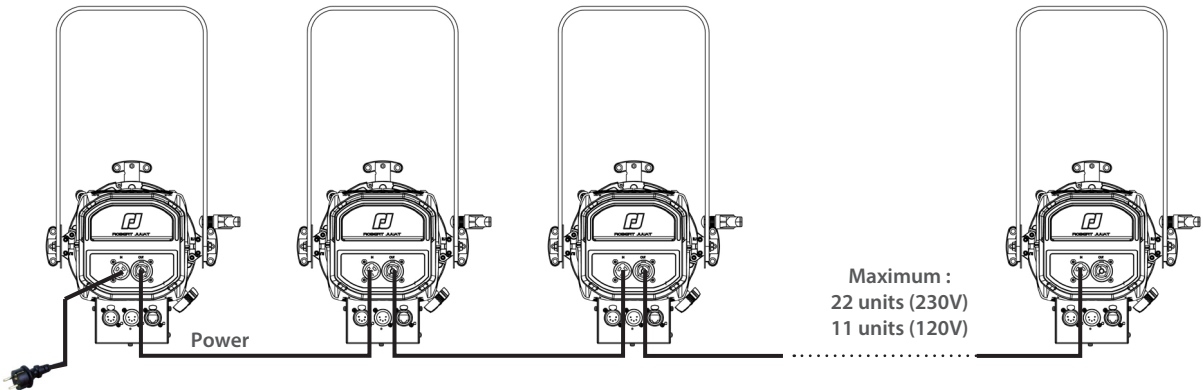
3.2.2 Power supply

Power supply			
Voltage	Frequency	Input power	Connectors
100 → 264 V	50-60 Hz	0,7 A / 130 W @ 230V 1,15 A / 135 W @ 120V 1,40 A / 135 W @ 100V Max: 1,5A Standby mode: 10W	Neutrik powerCON TRUE1 TOP Input : ref. NAC3FPX-TOP

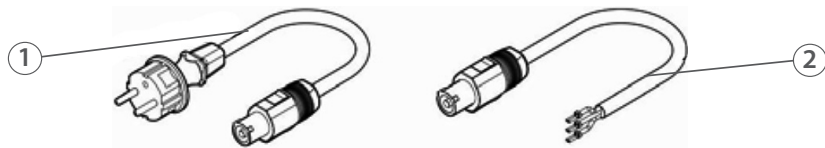


- Class 1 product. **This luminaire must be earthed.**
- Must be connected directly to AC power. **Do not connect to dimmer power.**
- Automatic mains voltage detection.

Daisy chain (with delivered power cable):



Power cable



Power cable	Connector	Mains plug	Cable type	Cable length	Wiring
1 Standard version	Neutrik® powerCON TRUE1 TOP NAC3FX-W-TOP	CEE7/7	3G1.5 H07RNF	3 m 9.8 ft	Live: Brown Neutral: Blue Ground: Yellow/Green
2 North American version		-	14AWG SJ TYPE (UL/CSA)	1.5 m 4.9 ft	Live: Black Neutral: White Ground: Green



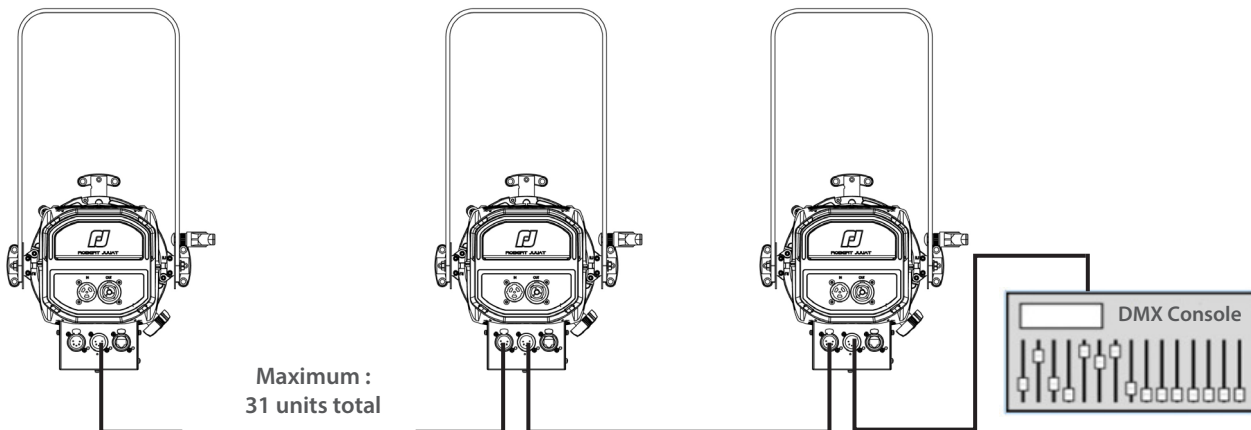
3.3 DATA

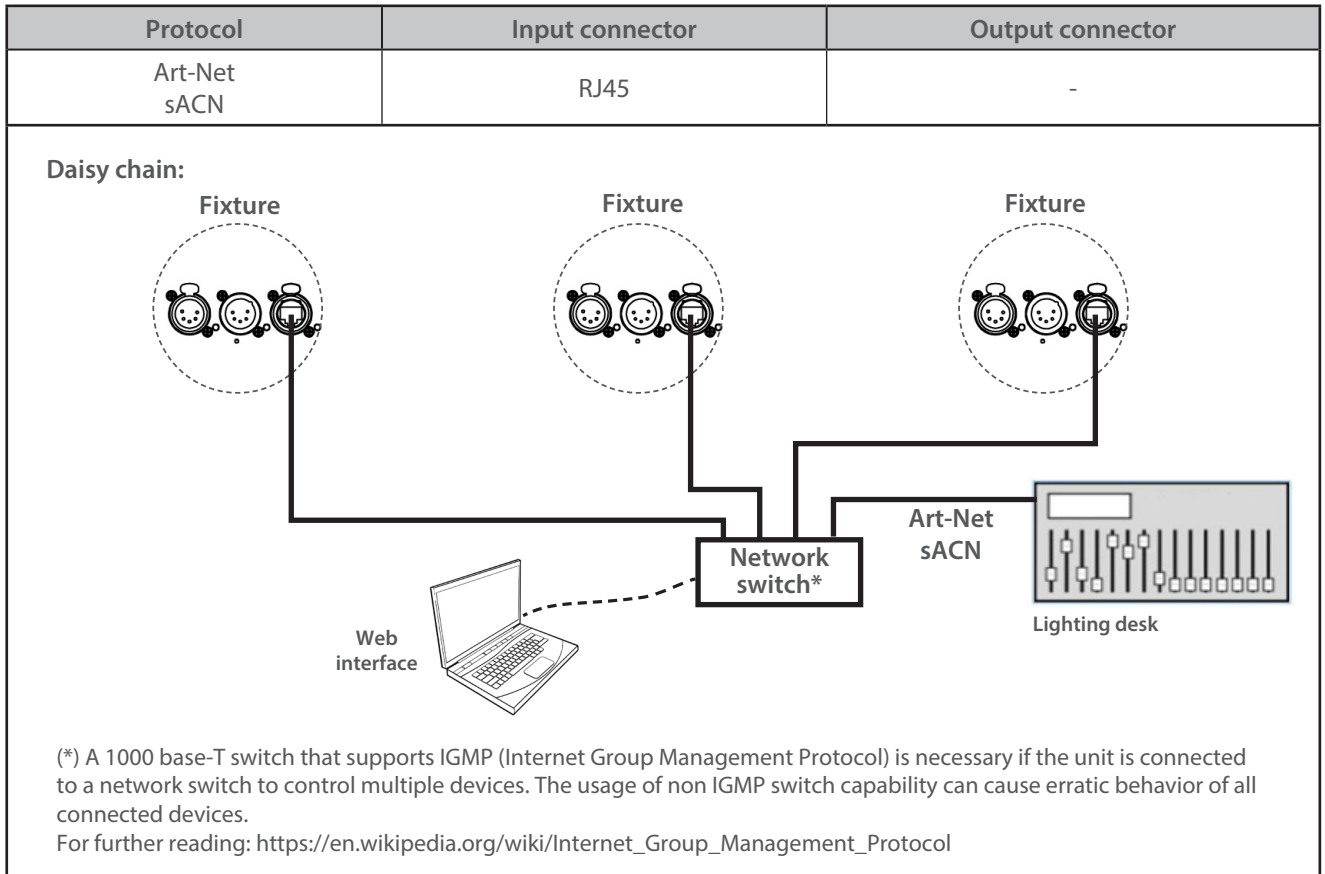
3.3.1 DMX 512-A / RDM

Protocol	Input connector	Output connector
USITT DMX 512-A RDM	XLR 5-pin	XLR 5-pin

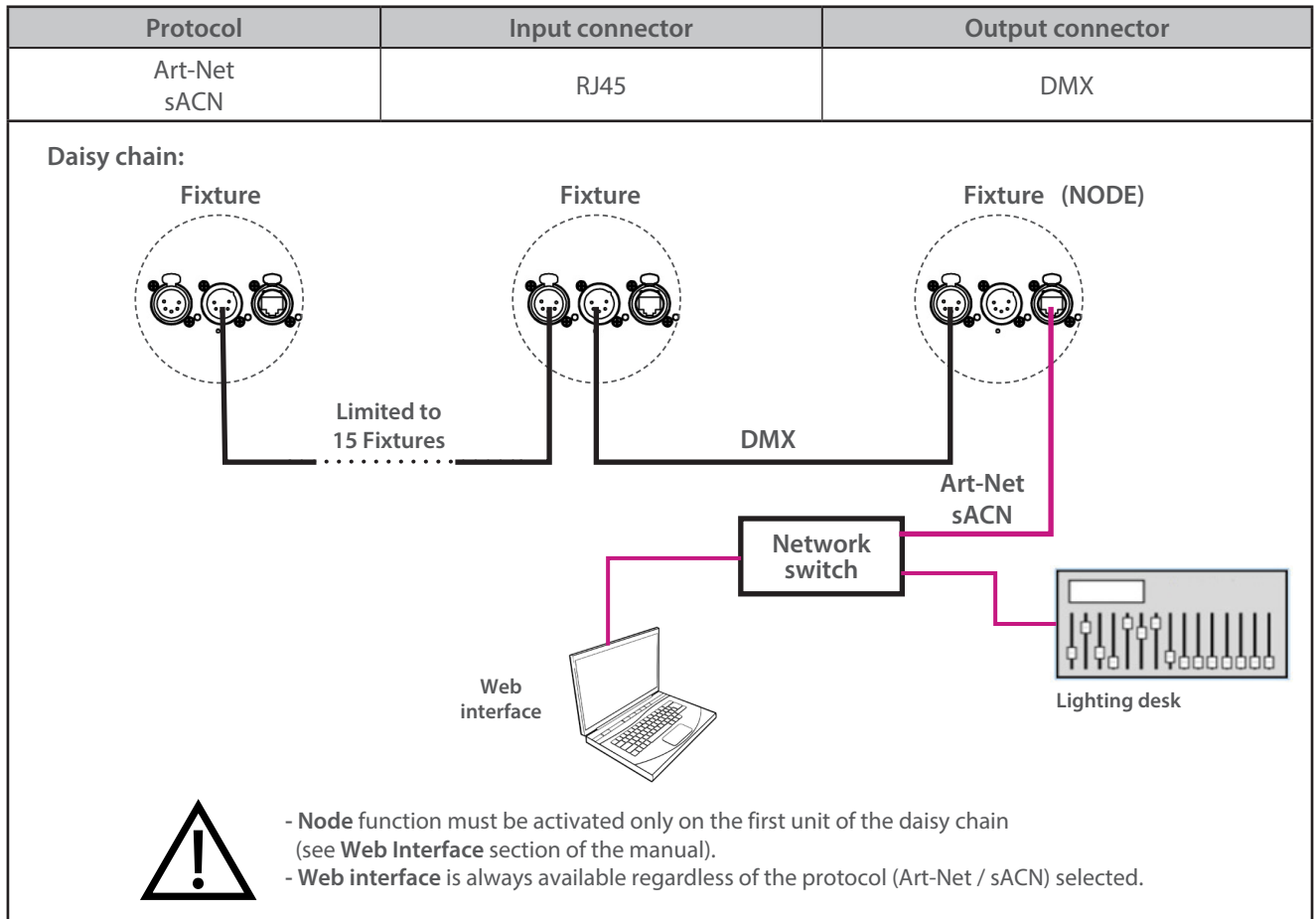
DATA connectors			
PIN #	DMX	Description	
1	Shielding	Foil & Braided Shield	
2	DMX (-)	1 st conductor of 1 st twisted pair	
3	DMX (+)	2 nd conductor of 1 st twisted pair	
4	Not used	1 st conductor of 2 nd twisted pair	
5	Not used	2 nd conductor of 2 nd twisted pair	

Daisy chain:



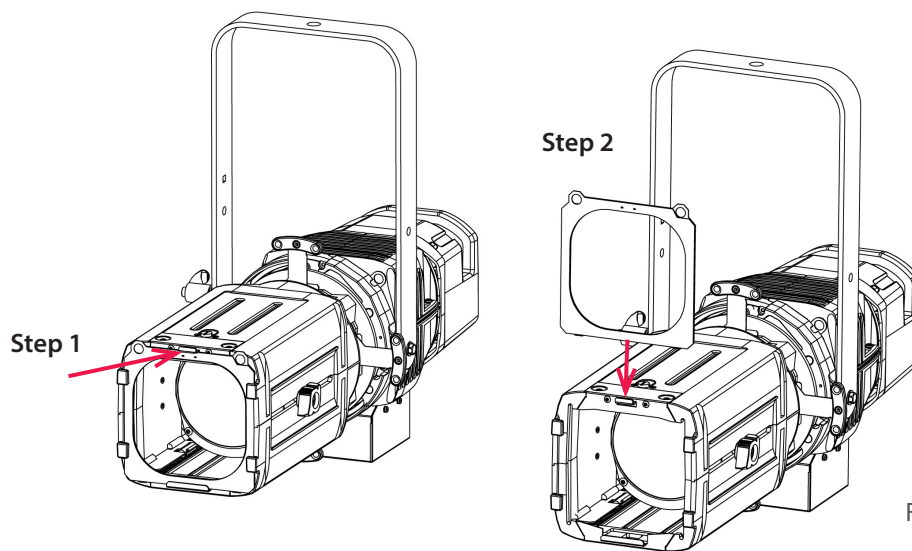


3.3.3 Ethernet / DMX node

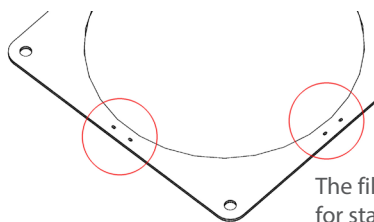


3.4 Accessories

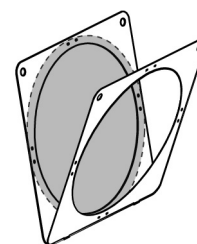
3.4.1 Front filter holder



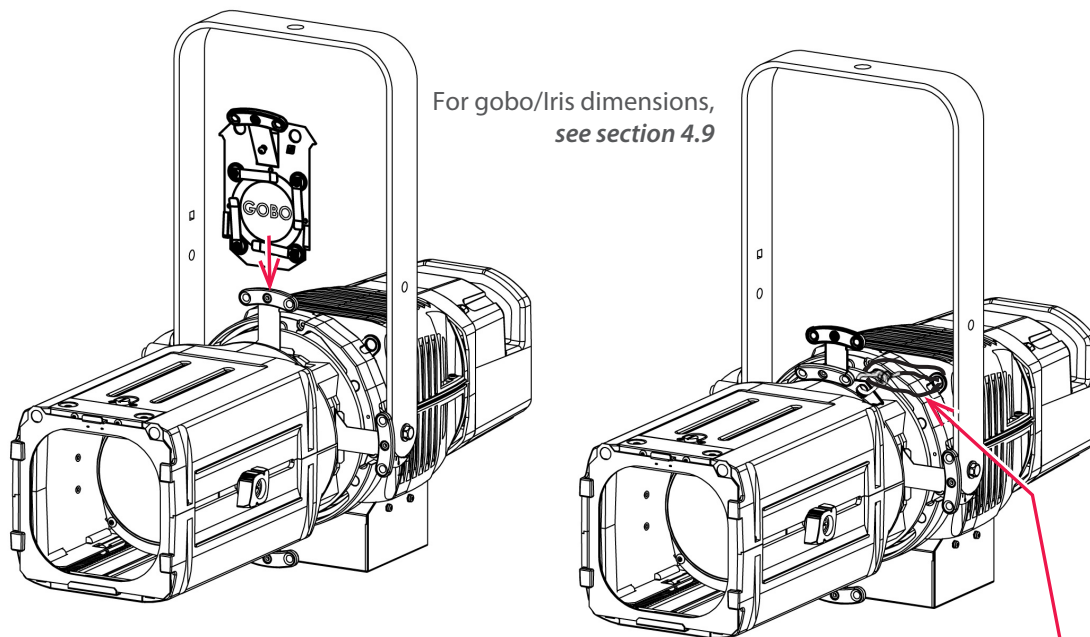
For filter dimensions,
see section 4.6



The filter holder includes perforations designed for stapling to keep the gel in position.



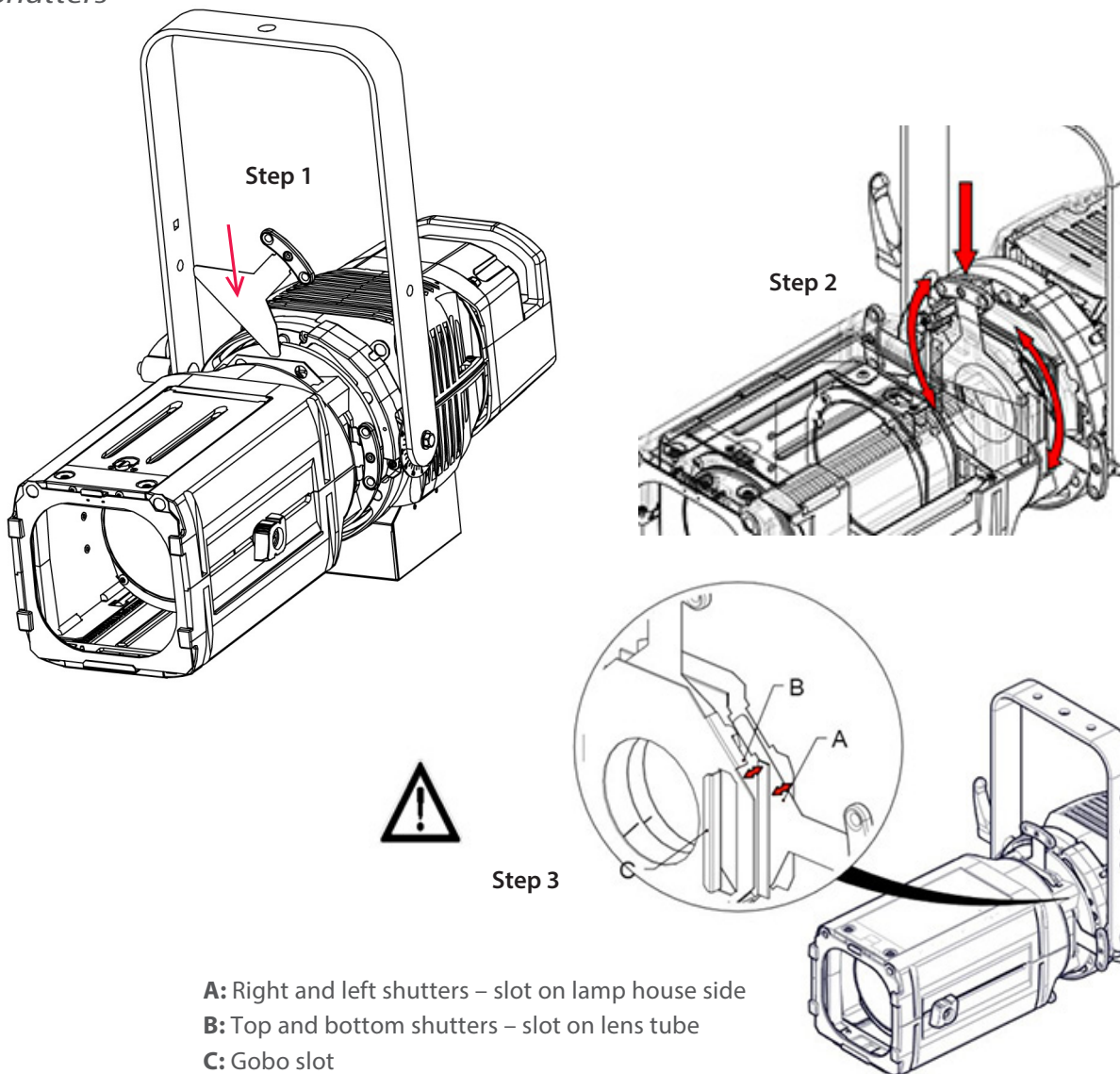
3.4.2 Iris / Gobo holder



For gobo/Iris dimensions, see section 4.9

To prevent objects from falling when the fixture is used upside-down, secure the iris/gobo with a safety cable (ref# CS5)

3.4.3 Shutters



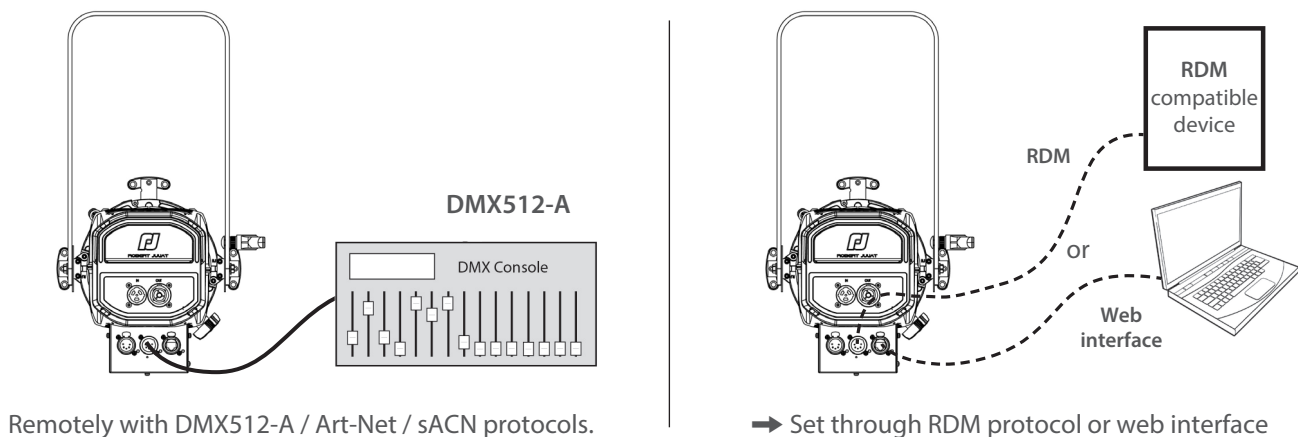
- A:** Right and left shutters – slot on lamp house side
- B:** Top and bottom shutters – slot on lens tube
- C:** Gobo slot

4.1 Light intensity

4.1.1 Range



4.1.2 Control



4.1.3 Parameters

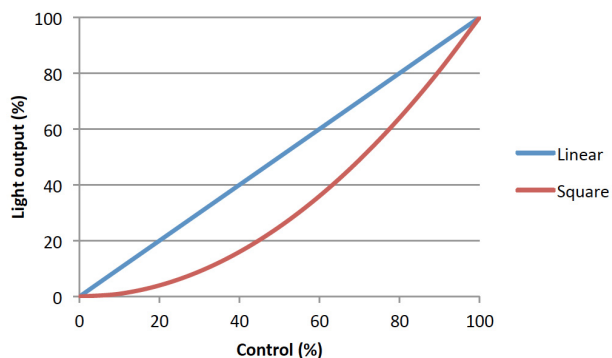
4.1.3.1 Dimming resolution - DMX only

→ Set through RDM protocol or web interface

Resolution	DMX mode
8 bits – 255 steps	1 - 3
16 bits – 65 535 steps	2 - 4

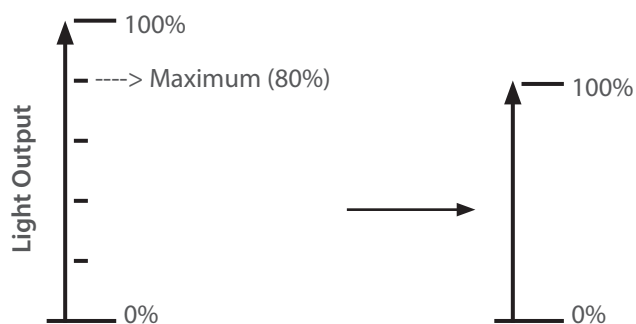
4.1.3.2 Dimming curve

→ Set through RDM protocol or web interface



4.1.3.3 Set maximum position

→ Set through RDM protocol or web interface



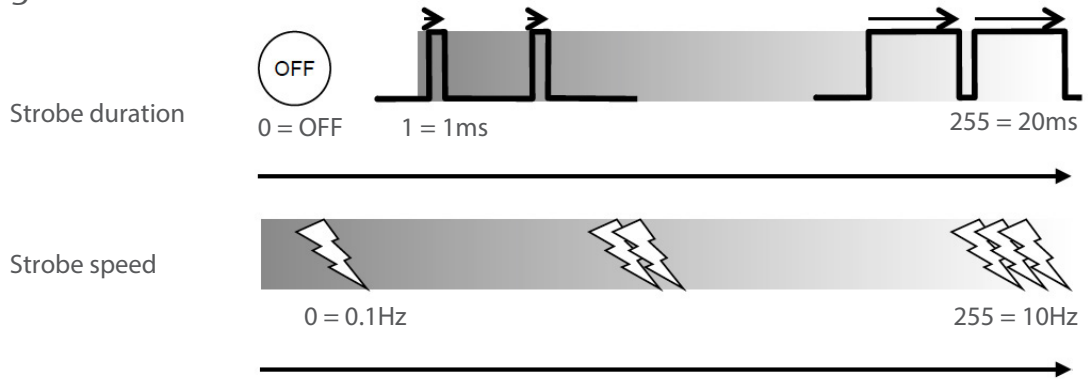
4.1.3.4 Dimming mode

→ Set through RDM protocol or web interface

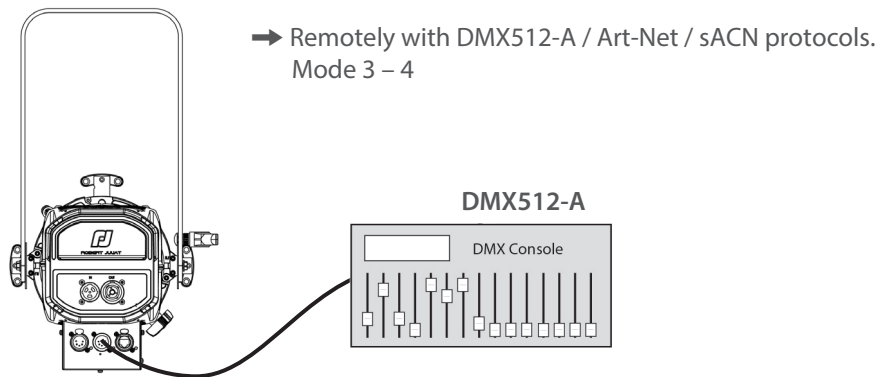
Mode	Result
Without PWM	Flicker-Free, perfect for filming
PWM 17 kHz	Good dimming quality (Default Value)
PWM 3,2 kHz	Very good dimming

4.2 Strobe

4.2.1 Range

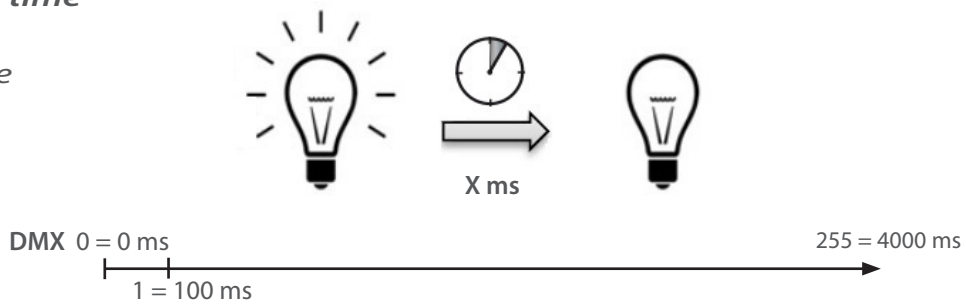


4.2.2 Control

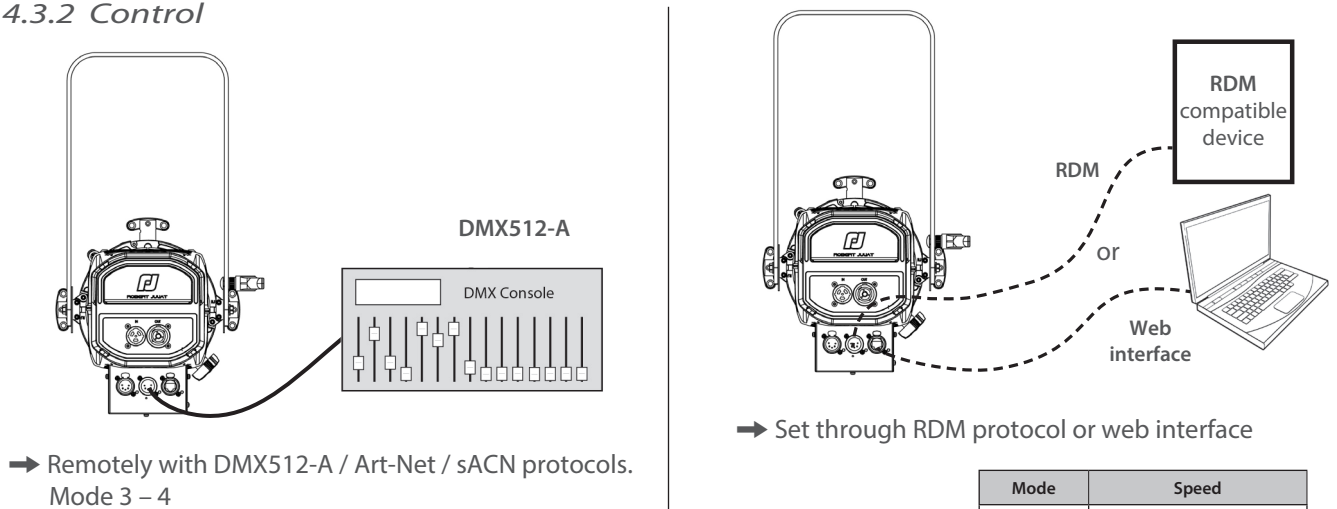


4.3 Response time

4.3.1 Range



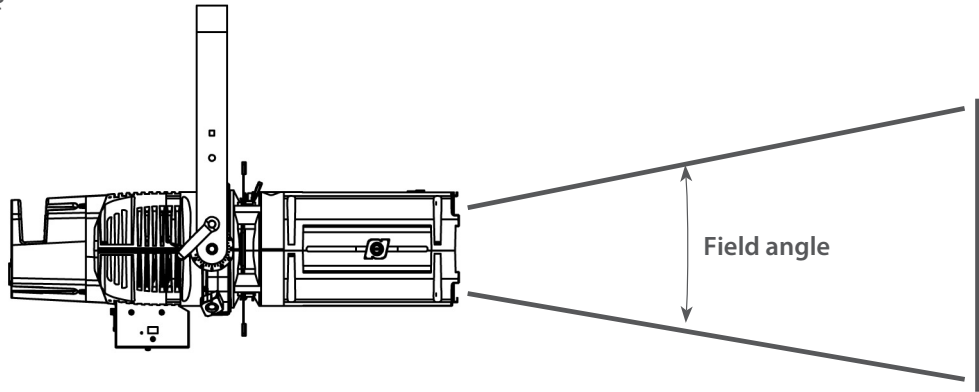
4.3.2 Control



Mode	Speed
NONE	OFF
SLOW	700 ms
MEDIUM	470 ms
FAST	350 ms
CUSTOM	0 - 4000 ms

4.4 Beam size adjustment

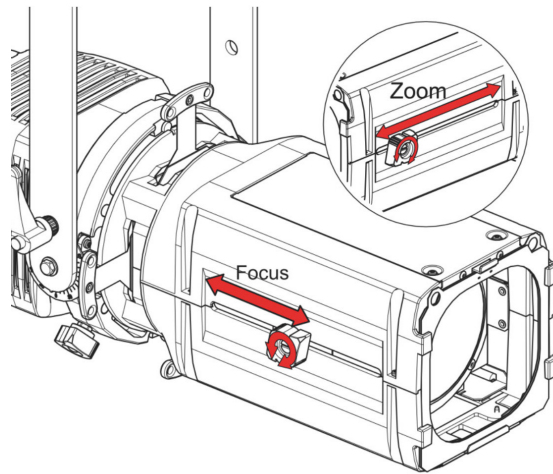
4.4.1 Range



Model	Minimum angle	Maximum angle
Configuration 1 without additional lens	15°	35°
Configuration 2 with additional lens*	30°	45°

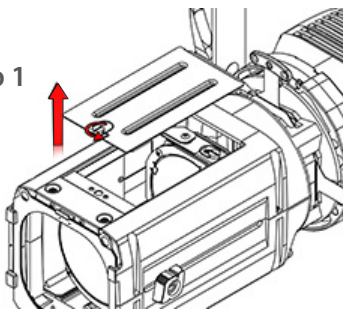
(*) Standard delivery

4.4.2 Control

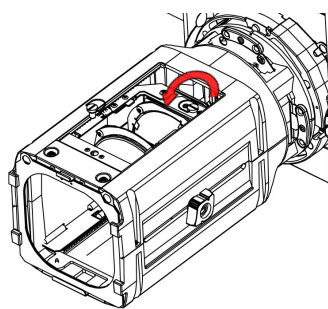


Configuration 2 → configuration 1:

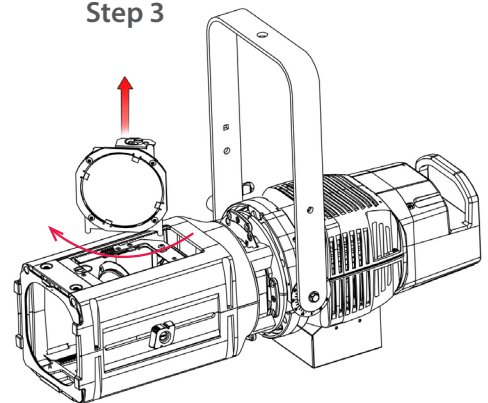
Step 1



Step 2



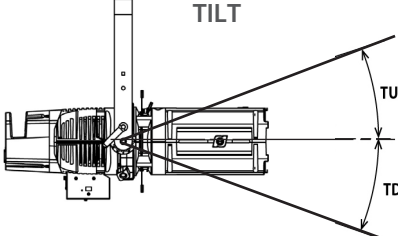
Step 3



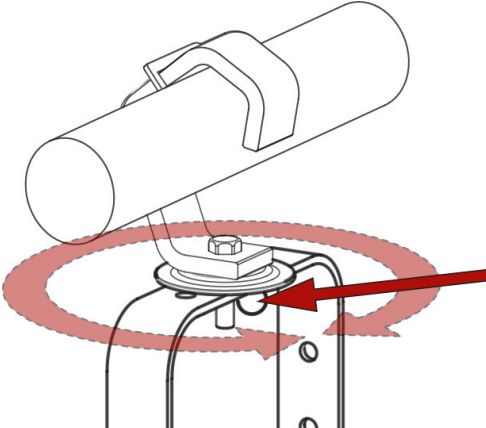
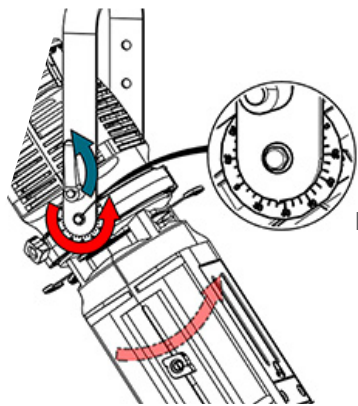
4.5 Orientation

4.5.1 Range

Function	Range
PAN	0 → 360°
TILT	TD = 0 → 90°

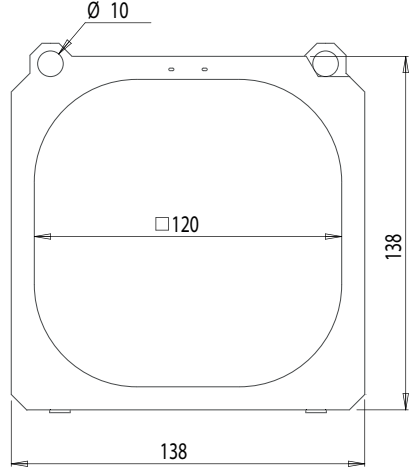


4.5.2 Control

PAN	TILT
	

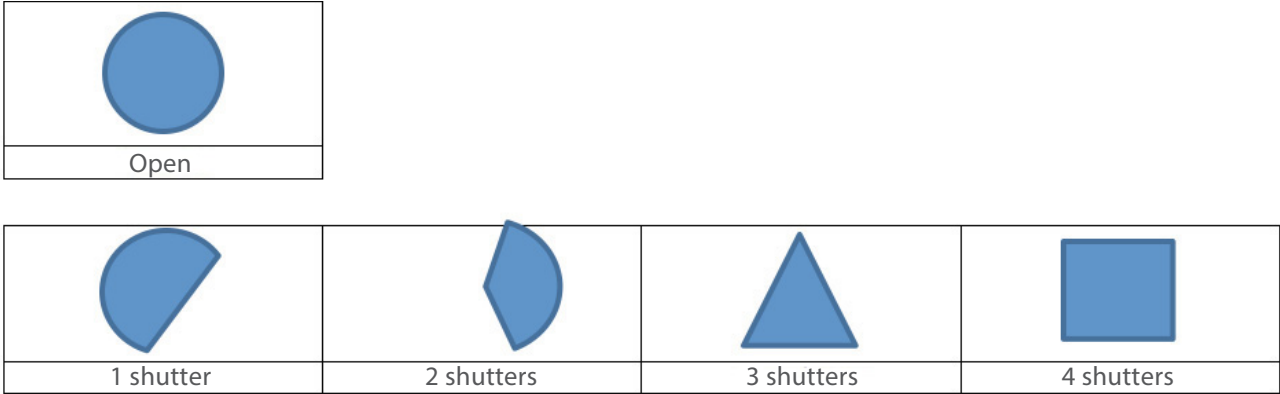
4.6 Colour

Fixed colour:

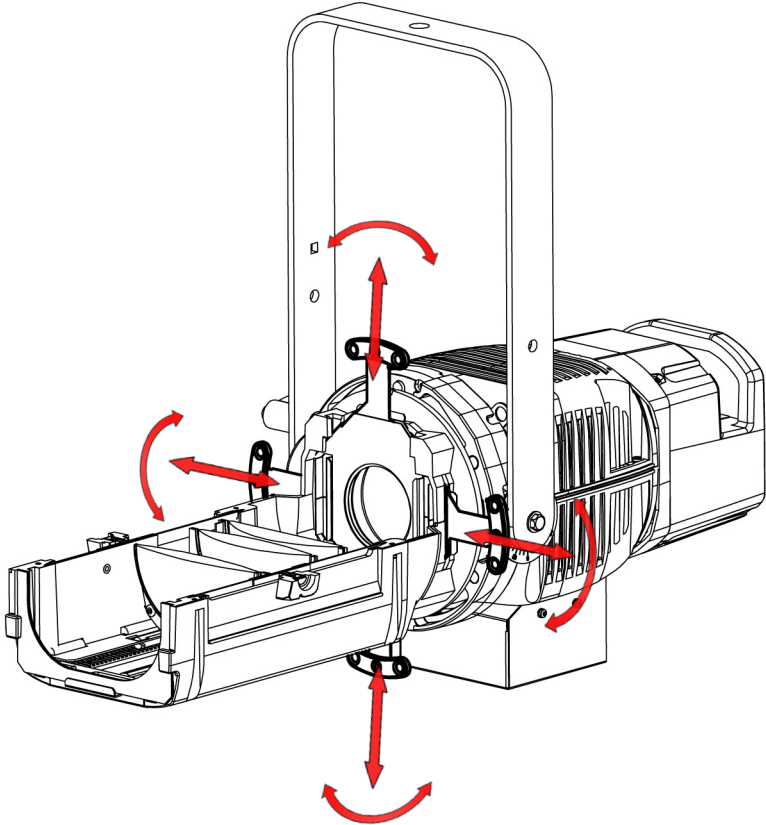
Type	Standard coloured gel filter
Dimensions	 <p>Values are in mm</p>
Installation	See section: 3.4.1

4.7 Beam shaping

4.7.1 Range






4.7.2 Control

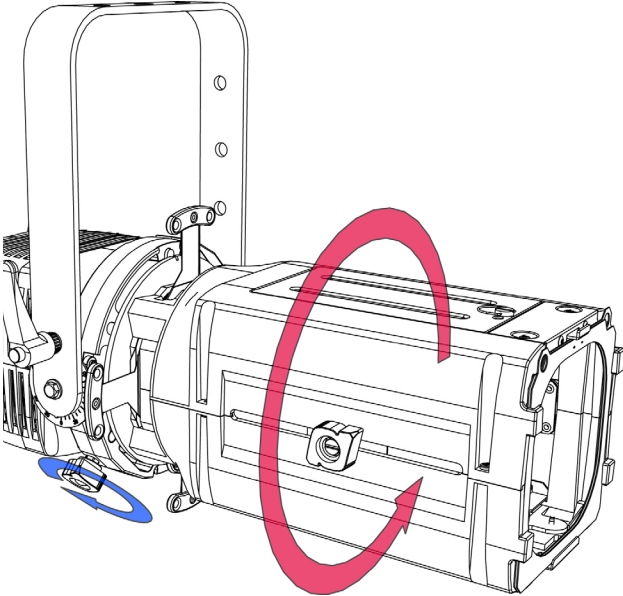


4.8 Beam rotation

4.8.1 Range

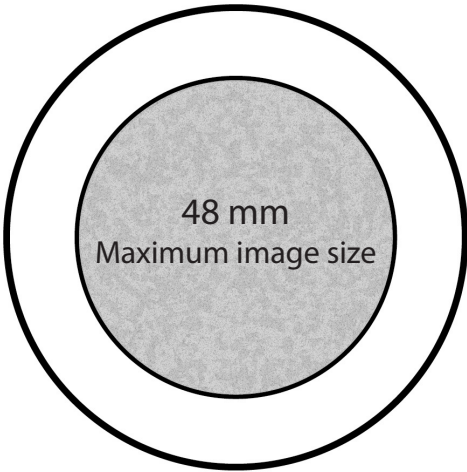
Function		Range
		
Gobo	Shutters	

4.8.2 Control

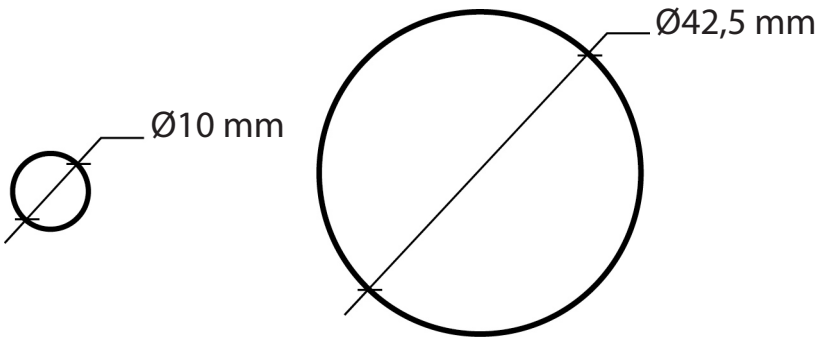


4.9 Gobo and Iris

4.9.1 Gobo

Type	Standard gobo - M size
Dimensions	 <ul style="list-style-type: none"> • Metal • Glass <p style="text-align: right;"><i>Values are in mm</i></p>
Installation	See section: 3.4.2

4.9.2 Iris

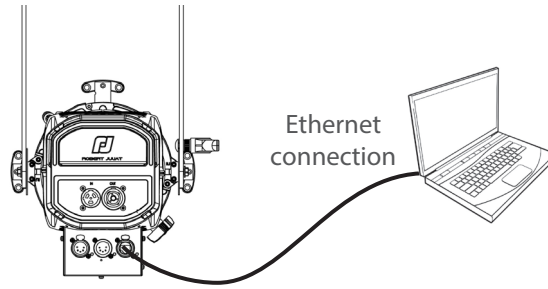
Type	Standard iris
Dimensions	
Installation	See section: 3.4.2

5 Controls and parameters



5.1 Web interface

5.1.1 Control



The fixture must be connected to a compatible network or directly to a computer using an ethernet cable.

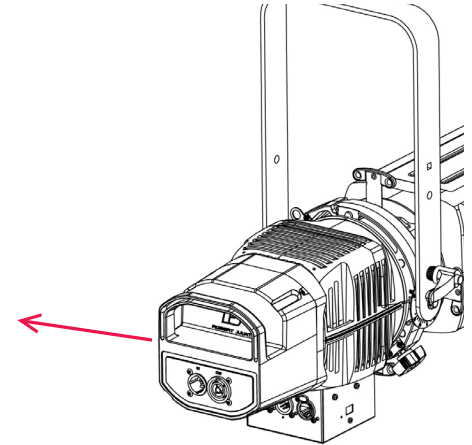
5.1.2 Default IP address

By default :

DHCP = OFF

Address = 2.XXX.XXX.XXX

Mask = 255.0.0.0



→ If IP address unknown (due to a previous modification), a hard reset must be done (see 6.5 Factory defaults).

5.1.3 Network IP of the computer

The computer must be on the same network as the TIBO HE fixture.

Please refer to your computer Operating System to change IPV4 parameters :

- **Microsoft Windows:**

<https://support.microsoft.com/en-us/windows/change-tcp-ip-settings-bd0a07af-15f5-cd6a-363f-ca2b6f391ace>

- **MAC OS:** <https://support.apple.com/en-gb/guide/mac-help/mchlp2718/10.15/mac/10.15>

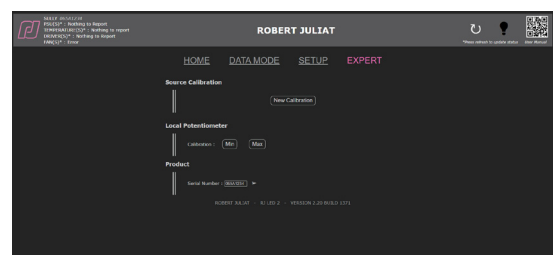
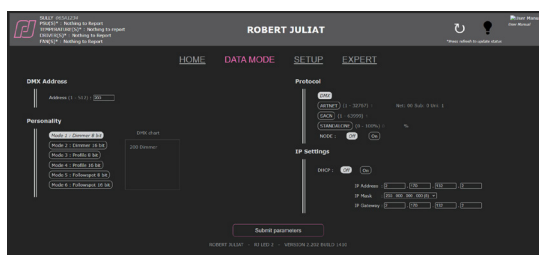
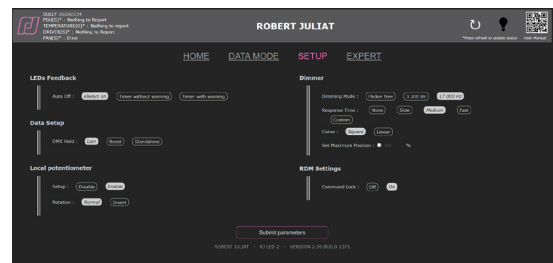
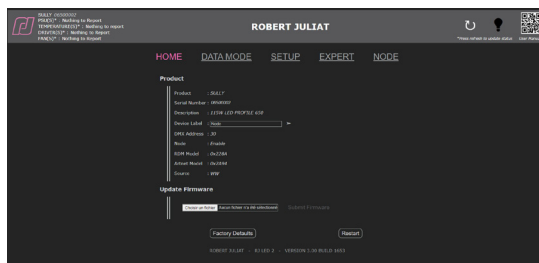
1 - ADDRESS = 2.XXX.XXX.YYY with YYY ≠ XXX

Do not use the same IP address as the TIBO HE fixture

2 - MASK = 255.0.0.0

5.1.4 Connect to web interface

- 1 - Open a web browser (Microsoft Edge, Firefox, Apple Safari...)
- 2 - Enter the URL address of the TIBO HE fixture: <http://2.XXX.XXX.XXX>
- 3 - All parameters can be now modified





After updating your device with firmware V3.0, we strongly recommend that you update the source type (CCT) either to CW (Cold White) or WW (Warm White) by following the procedure described in the section below: **5.1.5 CCT selection**

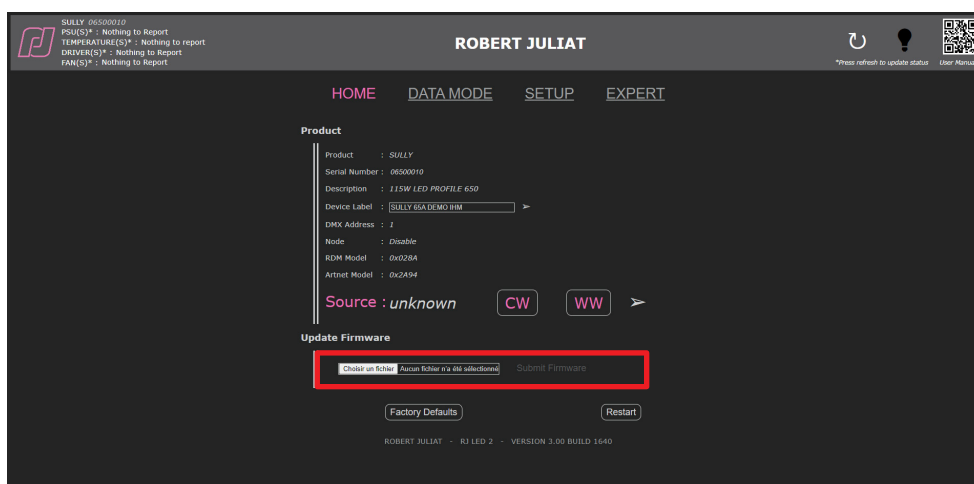
5.1.5 CCT selection

Until now, the CCT of the LED source was not taken into account. From V3.0, your device will be automatically recognized as CW or WW source.

Devices shipped with firmware prior to V3.0 do not have a designated CCT. After updating to V3.0, it is highly recommended to specify the CCT of your device. For this you will have to stay on the Web Page that you used for the update.

In the **Source** section of the HOME tab, the CCT of your device is indicated.

- If "unknown", please select the CCT of your device and click on icon **CW** or **WW** then on the arrow **>**.



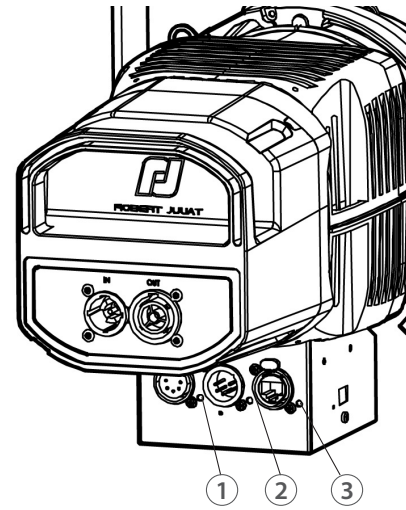
- Changing the source type changes the Model_ID as well. It is used in libraries to recognize devices automatically and for an Auto-Patch.
- If the source type has to be changed or in case of typing error, it will be always possible to change the source type in the Expert mode which is protected by a password.

5.2 LEDs Feedback

5.2.1 Trouble shooting

• During unit initialisation (power up) – up to 5 seconds:

1 DMX OUT	2 DMX IN	3 Network	Description
Ⓟ	Ⓟ	Ⓟ	Unit OFF
Ⓡ	Ⓡ	Ⓡ	Unit error
Ⓢ	Ⓢ	Ⓢ	Unit has been reset successfully
Ⓟ	Ⓟ	Ⓡ or Ⓢ or Ⓟ	RDM protocol activated



• After initialisation - Node mode "OFF":

1 DMX OUT	2 DMX IN	3 Network	Description
Ⓟ	Ⓟ	Ⓟ	Display auto-off
Ⓟ	Ⓢ	Ⓡ	No ethernet
Ⓟ		Ⓢ	Ethernet detected (link)
Ⓟ		Ⓟ	Ethernet detected + data
Ⓟ	Ⓟ	Ⓡ	No ethernet
Ⓟ		Ⓢ	Ethernet detected (link)
Ⓟ		Ⓟ	Ethernet detected + data
Ⓟ	Ⓡ	Ⓡ	No ethernet
Ⓟ		Ⓢ	Ethernet detected (link)
Ⓟ		Ⓟ	Ethernet detected + data
Ⓡ	Ⓡ	Ⓡ	Unit error

• After initialisation - Node mode "ON":

1 DMX OUT	2 DMX IN	3 Network	Description
Ⓟ	Ⓢ	Ⓟ	Display auto-off
Ⓢ		Ⓡ	No ethernet
		Ⓢ	Ethernet detected (link)
Ⓟ	Ⓟ	Ⓡ	No ethernet
		Ⓢ	Ethernet detected (link)
Ⓟ	Ⓡ	Ⓡ	No ethernet
		Ⓢ	Ethernet detected (link)
Ⓡ	Ⓢ	Ⓡ	No ethernet
		Ⓢ	Ethernet detected (link)
Ⓡ	Ⓟ	Ⓡ	No ethernet
		Ⓢ	Ethernet detected (link)
Ⓡ	Ⓡ	Ⓡ	Unit error

5.2.2 Parameters

5.2.2.1 Intensity

➔ Set through RDM protocol or web interface

Mode	Description
Display level	Adjust the intensity of the feedback LEDs

5.2.2.2 Auto-OFF

➔ Set through RDM protocol or web interface

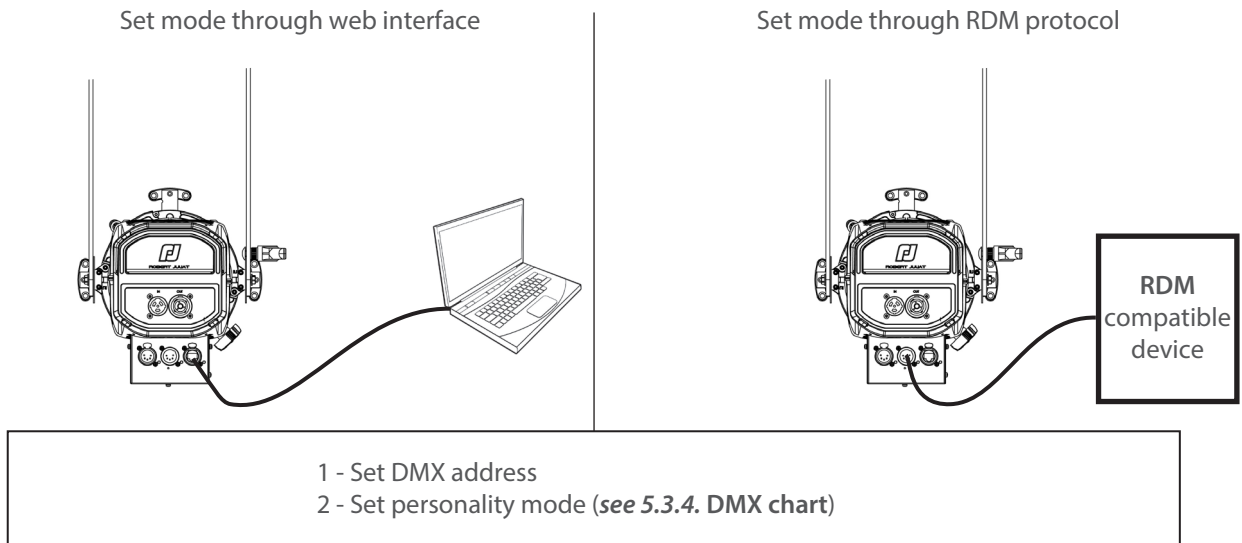
Mode	Description
Always ON	Feedback LED, always ON
Timer without warning	Feedback LED OFF after 20 seconds
Timer with warning	Feedback LED OFF after 20 seconds, ON, if warning information occurs

5.3 DMX512 - A remote control

5.3.1 Protocol

E1.11 – 2008, USITT DMX512-A

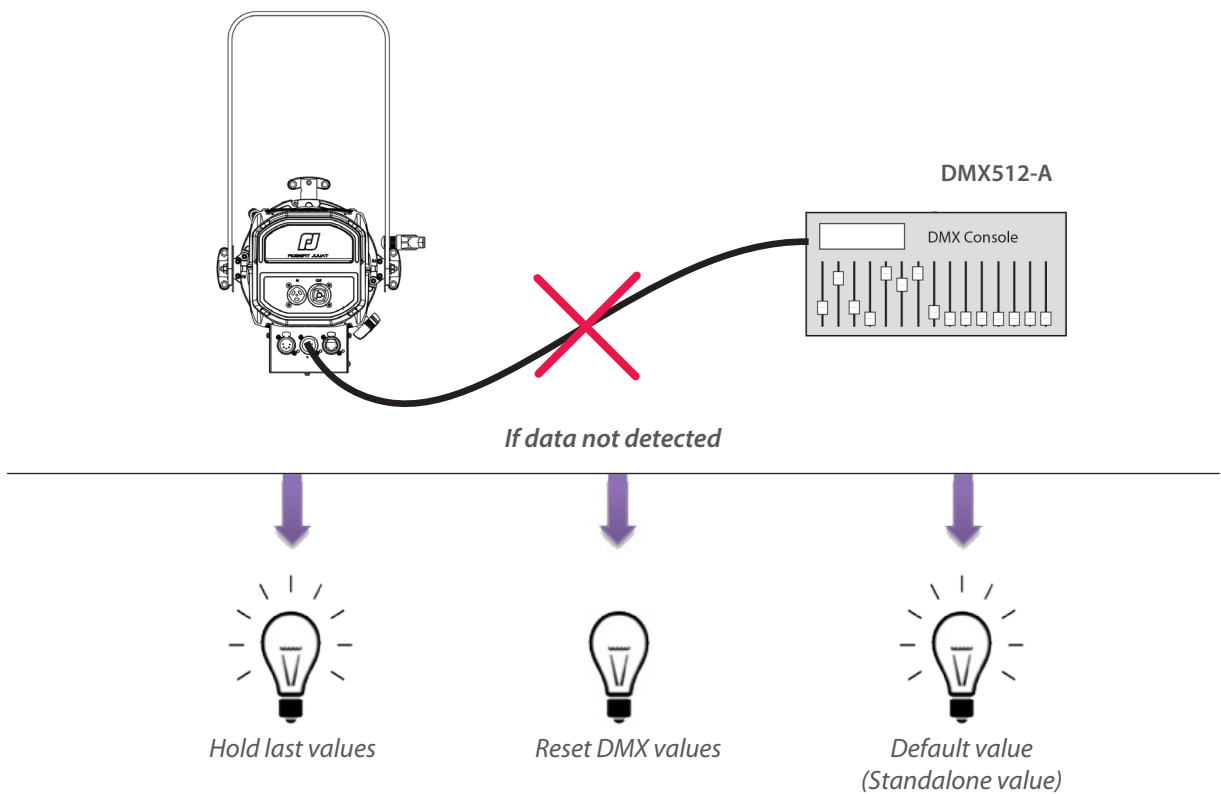
5.3.2 Configuration



5.3.3 Parameters:

5.3.3.1 DMX Hold

→ Set through RDM protocol or web interface



DMX Channel	Mode 1: Dimmer8B	Mode 2: Dimmer16B	Mode 3: Profile8B	Mode 4: Profile16b
1	Dimmer	Dimmer	Dimmer	Dimmer
2		Dimmer fine	Strobe duration	Dimmer fine
3			Strobe speed	Strobe duration
4			Response time	Strobe speed
5			Control mode	Response time
6				Control mode

5.3.5 DMX ranges

5.3.5.1 Strobe duration

Range min	Range max	Function
0	0	Strobe OFF
1	255	Strobe ON - 1 ms → 20 ms

5.3.5.2 Strobe speed

Range min	Range max	Function
0	255	Frequency: 0,1 Hz → 10 Hz

5.3.5.3 Response time

Range min	Range max	Function
0	0	OFF
1	255	Response time: 0,1 s → 4 s

5.3.5.4 Control mode*

Range min	Range max	Function	
		By default	If activated in web interface/RDM
0	0	-	-
1	10	-	RDM OFF
11	20	-	RDM ON
21	30	-	RESET DEVICE

(*) Function activated after 5 seconds - needs to go back to zero to activate second function.

5.4 RDM remote control

5.4.1 Protocol

ANSI E1.20 – 2010 / ANSI E1.37 - 1

For more information about RDM protocol: <http://www.rdmprotocol.org/>

5.4.2 Functions

PID	Function description	115W LED PROFILE			V3	
		Get	Set	Queued Message		
Network Management						
00	01	DISCOVERY_UNIQUE_BRANCH				X
00	02	DISCOVERY_MUTE		X		X
00	03	DISCOVERY_UNMUTE		X		X
00	15	COMMUNICATION_STATUS	X	X		X
Status Collection						
00	20	QUEUED_MESSAGE	X			X
00	30	STATUS_MESSAGES	X			X
00	31	STATUS_ID_DESCRIPTION	X			X
00	32	CLEAR_STATUS_ID		X		X
RDM Information						
00	50	SUPPORTED_PARAMETERS	X			X
00	51	PARAMETER_DESCRIPTION	X			X
Product Information						
00	60	DEVICE_INFO	X		X	X
00	70	PRODUCT_DETAIL_ID_LIST	X			X
00	80	DEVICE_MODEL_DESCRIPTION	X			X
00	81	MANUFACTURER_LABEL	X			X
00	82	DEVICE_LABEL	X	X	X	X
00	90	FACTORY_DEFAULTS	X	X	X	X
00	C0	SOFTWARE_VERSION_LABEL	X		X	X
00	C2	BOOT_SOFTWARE_VERSION_LABEL	X			X
DMX512 Setup						
00	E0	DMX512_PERSONALITY	X	X	X	X
00	E1	DMX512_PERSONALITY_DESCRIPTION	X			X
00	F0	DMX512_STARTING_ADDRESS	X	X	X	X
01	20	SLOT_INFO	X			X
01	21	SLOT_DESCRIPTION	X			X
Sensors						
02	00	SENSOR_DEFINITION	X			X
02	01	SENSOR_VALUE	X			X
DMX Settings						
03	40	DIMMER_INFO	X			X
03	42	MAXIMUM_LEVEL	X	X	X	X
03	43	CURVE	X	X	X	X
03	44	CURVE_DESCRIPTION	X			X
03	45	OUTPUT_RESPONSE_TIME	X	X	X	X
03	46	OUTPUT_RESPONSE_TIME_DESCRIPTION	X			X
03	47	MODULATION_FREQUENCY	X	X	X	X
03	48	MODULATION_FREQUENCY_DESCRIPTION	X			X
Power / Lamp Settings						
04	00	DEVICE_HOURS	X			X
04	01	LAMP_HOURS	X	X		X
Display Settings						
05	01	DISPLAY_LEVEL	X	X	X	X

PID	Function description	115W LED PROFILE			V3	
		Get	Set	Queued Message		
Control						
10	00	IDENTIFY_DEVICE	X	X		X
10	01	RESET_DEVICE		X	X	X
10	20	PERFORM_SELFTEST	X	X		X
10	21	SELF_TEST_DESCRIPTION				X
RDMnet Management						
07	00	LIST_INTERFACES	X			X
07	01	INTERFACE_LABEL	X			X
07	02	INTERFACE_HARDWARE_ADRESS_TYPE1	X			X
07	03	IPV4_DHCP_MODE	X	X	X	X
07	05	IPV4_CURRENT_ADDRESS	X		X	X
07	06	IPV4_STATIC_ADDRESS	X	X		X
07	08	INTERFACE_RELEASE_DHCP		X		
07	09	INTERFACE_APPLY_CONFIGURATION		X		X
07	0A	IPV4_DEFAULT_ROUTE	X	X	X	X
07	0B	DNS_IPV4_NAME_SERVER	X	X	X	X
07	0C	DNS_HOSTNAME	X	X		
PID Manufacturer						
85	58	SELFTEST_RESULT	X			X
85	59	CURRENT_IP_ADDRESS	X		X	X
85	5A	CURRENT_NETMASK	X		X	X
85	5B	CURRENT_DRIVER_STATUS	X		X	X
85	5C	CUSTOM_RESPONSE_TIME_DESCRIPTION	X			X
85	5D	CUSTOM_RESPONSE_TIME_VALUE	X	X	X	X
85	60	DATA_MODE_DESCRIPTION	X			X
85	61	DATA_MODE_VALUE	X	X	X	X
85	62	STANDALONE_VALUE_DESCRIPTION	X			X
85	63	STANDALONE_VALUE	X	X	X	X
85	64	SACN_UNIVERSE_VALUE_DESCRIPTION	X			X
85	65	SACN_UNIVERSE_VALUE	X	X	X	X
85	66	ARTNET_UNIVERSE_VALUE_DESCRIPTION	X			X
85	67	ARTNET_UNIVERSE_VALUE	X	X	X	X
85	68	SERIAL_DESCRIPTION	X			X
85	69	SERIAL	X	X		X
85	6A	DMX_HOLD_DESCRIPTION	X			X
85	6B	DMX_HOLD	X	X	X	X
85	6C	COMMAND_LOCK_DESCRIPTION	X			X
85	6D	COMMAND_LOCK_VALUE	X	X	X	X
85	6E	DRIVER_CALIBRATE_DESCRIPTION	X			X
85	6F	DRIVER_CALIBRATE_VALUE	X	X	X	X
85	6E	DRIVER_CALIBRATE_DESCRIPTION	X			X
85	6F	DRIVER_CALIBRATE_VALUE	X	X		X
85	70	NODE_DESCRIPTION	X			X
85	71	NODE_VALUE	X	X		X

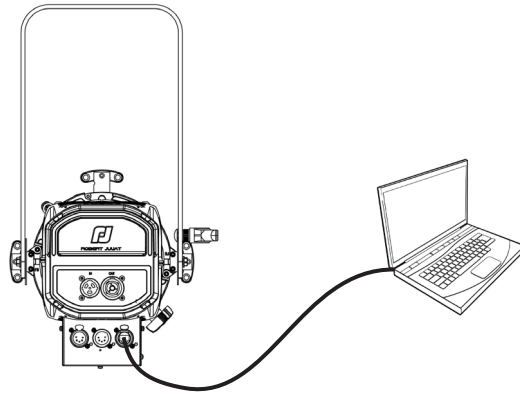
5.5.1 Protocol

Artistic Licence Art-Net v3.

For more information about Art-Net protocol: <http://art-net.org.uk/>

5.5.2 Configuration

Set mode through web interface
(see 5.1 Web interface)



- 1 - If necessary, change IP settings
- 2 - Set Art-Net Universe
- 3 - Set DMX address
- 2 - Set personality mode (see 5.3.4. DMX chart)

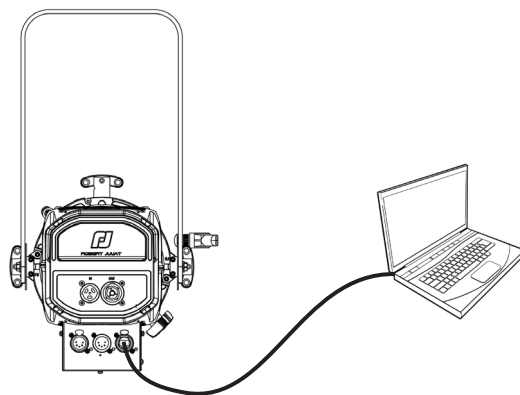
5.6 sACN remote control

5.6.1 Protocol

ANSI E1.31 – 2009 sACN (Streaming-ACN)

5.6.2 Configuration

Set mode through web interface
(see 5.1 Web interface)



- 1 - If necessary, change IP settings
- 2 - Set sACN universe
- 3 - Set DMX address
- 2 - Set personality mode (see 5.3.4. DMX chart)

6.1 Preventive maintenance

6.1.1 Frequency

General maintenance should be performed at least once a year or more frequently if the equipment is operated in adverse conditions (smoke, heat, humidity, touring, etc.).

6.1.2 General cleaning

Remove dust from the unit.

Front glasses can be cleaned with solutions containing alcohol.

6.1.3 General visual check

- No trace of heat.
- No loose contacts.
- No missing parts.
- Tighten mechanical assemblies (screws, bolts and nuts, etc.).

6.1.4 LED source



- Do not touch the surface of the LED source (no contact with your hands or any tools).
- Do not put compressed air directly on the source.
- Contact a certified RJ distributor in case of residuals or other objects located on the surface of the LED source.

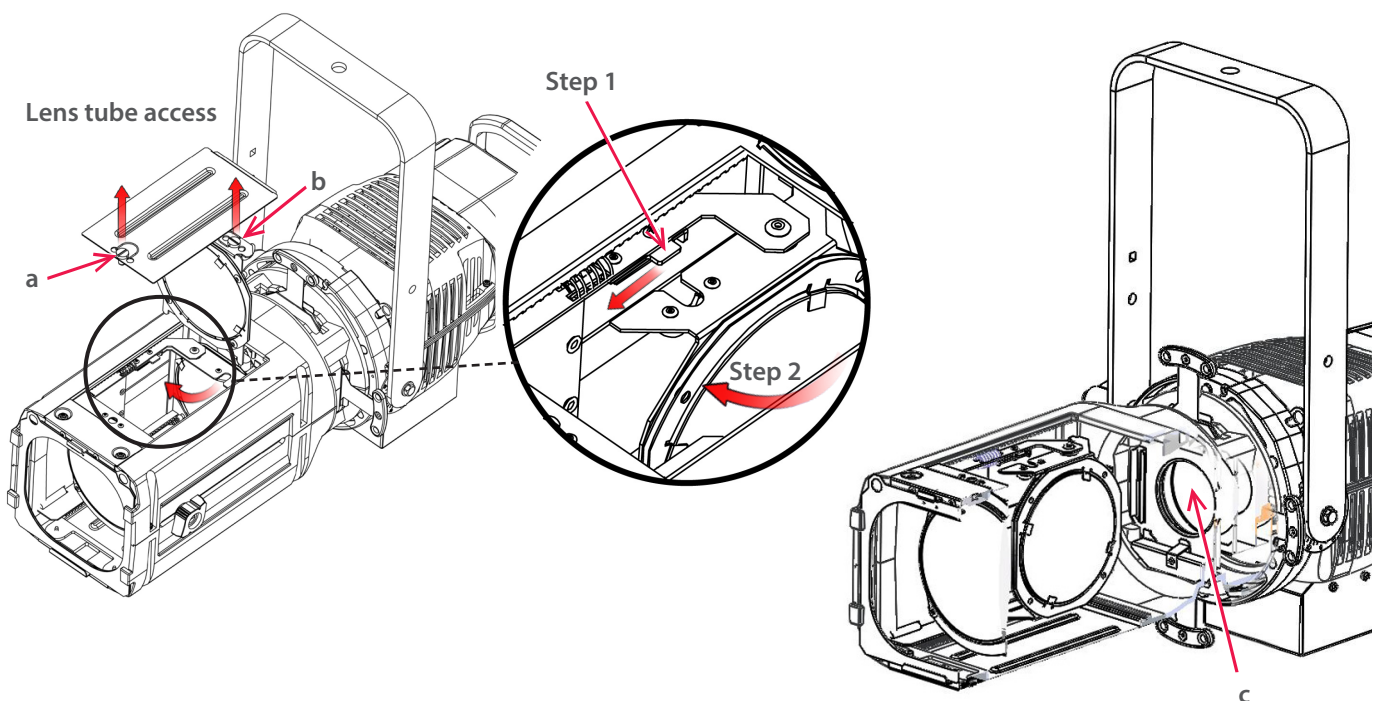
6.1.5 Optics

Only use solutions containing alcohol to clean optical parts (lenses).

- To clean the optical parts, use a soft cloth in combination with distilled water or isopropyl alcohol recommended for coated optics. Do not use any cleaning product that contains solvents or abrasives, as these can cause surface damage.
- Dry with a soft lint-free cloth.

Step by Step access to clean the zoom lenses:

- 1- Remove the top cover with the 1/4 turn fastener (a).
- 2- Remove the extra lens if mounted (b).
- 3- Slide the lever (step 1) towards the front of the fixture and turn the rear lens 90° (step 2) to have access to the front side of the biconvex lens (c).



6.2 Analysis

In case of problem, contact RJ distributor with the following information:

- Model, version and serial number of the product.
- From the menu status:
 - Software version
 - LED board IDs
 - Device hours
- Description of the problem.



6.3 Electronic thermal management system

In case of overheating, light intensity will be reduced by the system.

Power reduction and temperature values are available by using a RDM protocol compatible device.

6.4 Firmware update




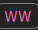

After updating your device with firmware V3.0, we strongly recommend that you update the source type (CCT) either to CW (Cold White) or WW (Warm White) by following the procedure described in the section below: **CCT selection**

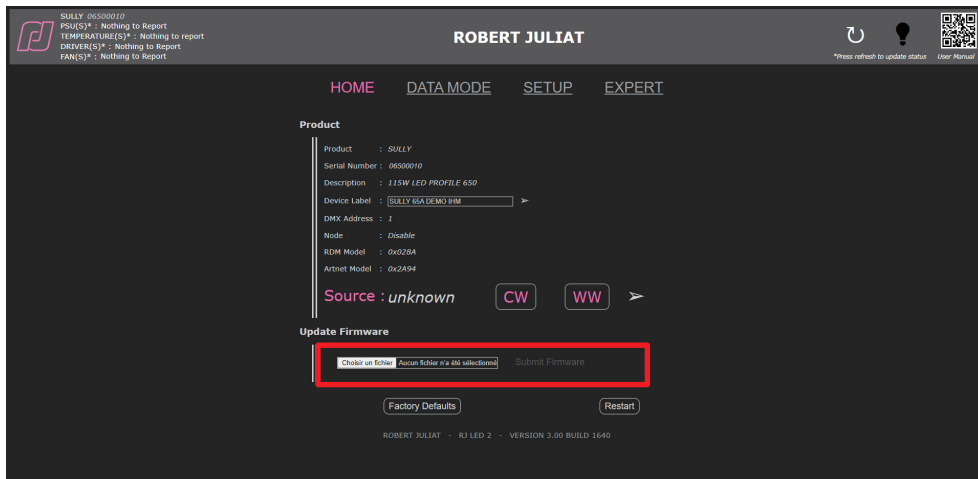
CCT selection

Until now, the CCT of the LED source was not taken into account. From V3.0, your device will be automatically recognized as CW or WW source.

Devices shipped with firmware prior to V3.0 do not have a designated CCT. After updating to V3.0, it is highly recommended to specify the CCT of your device. For this you will have to stay on the Web Page that you used for the update.

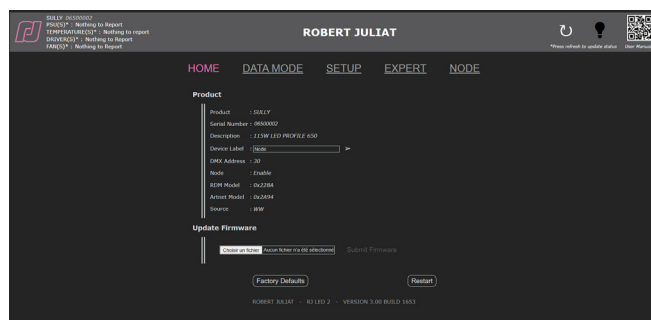
In the **Source** section of the HOME tab, the CCT of your device is indicated.

- If "unknown", please select the CCT of your device and click on icon  or , then on the arrow .



- Changing the source type changes the Model_ID as well. It is used in libraries to recognize devices automatically and for an Auto-Patch.
- If the source type has to be changed or in case of typing error, it will be always possible to change the source type in the Expert mode which is protected by a password.

1. Firmware available on www.robertjuliat.com/profilespots/TIBO-HE_553_115W-LED
2. Download and unzip the file
There are 4 files:
 - Firmware (.upd2 format)
 - Firmware History
 - Update Procedure
 - User Manual from firmware V3.0
3. Switch on the unit
4. Connect Network from computer to the unit
5. Open a web browser (Internet Explorer, Firefox, Chrome...)
6. Enter the URL address to connect to the web interface (*see 5.1*)
7. Upload your firmware file (.upd2) in the "Update firmware" section and then click on "Submit firmware"



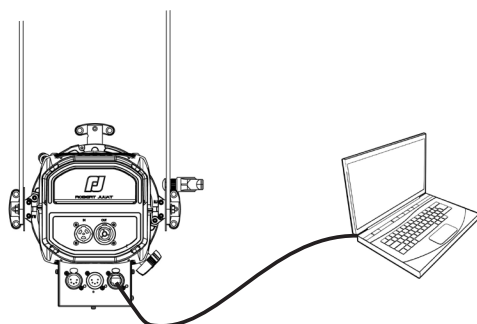
6.5 Factory defaults

6.5.1 Modes

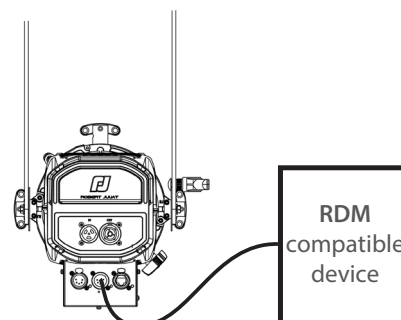
Mode	Description
Restart	Software reset – all user parameters are kept
Factory defaults	Set all user parameters to factory default value

6.5.2 Control

Set to factory defaults / reset through web interface (Home page)



Set to factory defaults / reset through RDM protocol



→ If IP address unknown (due to a previous modification), IP address can be read from RDM protocol or a **hard reset** must be done:

